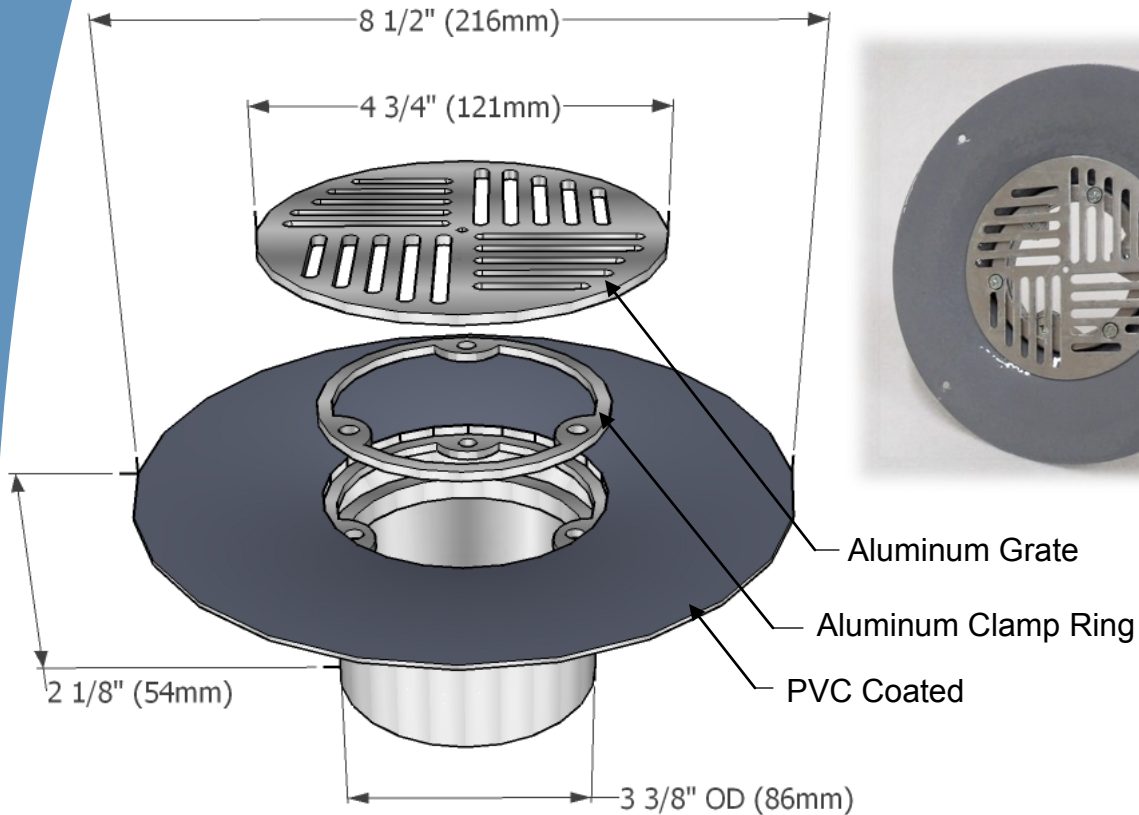


#WD-405  
PVC DRAIN



## PVC COATED ROOF DRAIN

The Weatherdek PVC coated aluminum roof drain offers both mechanical attachment of the membrane with an aluminum clamp ring as well as a PVC Coated flange for a weld-able seal of the membrane to the drain body. A one piece spun aluminum body guarantees a leak proof drain.



### NOTES:

- One piece spun aluminum drain body.
- Aluminum grate and clamp ring.
- PVC coated flange for weld-able membrane seal.

### DIMENSIONS:

- Drain Body: 8-1/2" Dia (216mm)
- Finished Grate: 4-3/4" Dia (121 mm)
- Overall Height: 2-1/8" (54mm)
- Outlet Pipe: 3-3/8" OD (86mm)

For further information regarding Weatherdek products please contact:  
ADS Weatherdek Canada Ltd. at: [www.weatherdek.com](http://www.weatherdek.com) or 1-800-667-2596